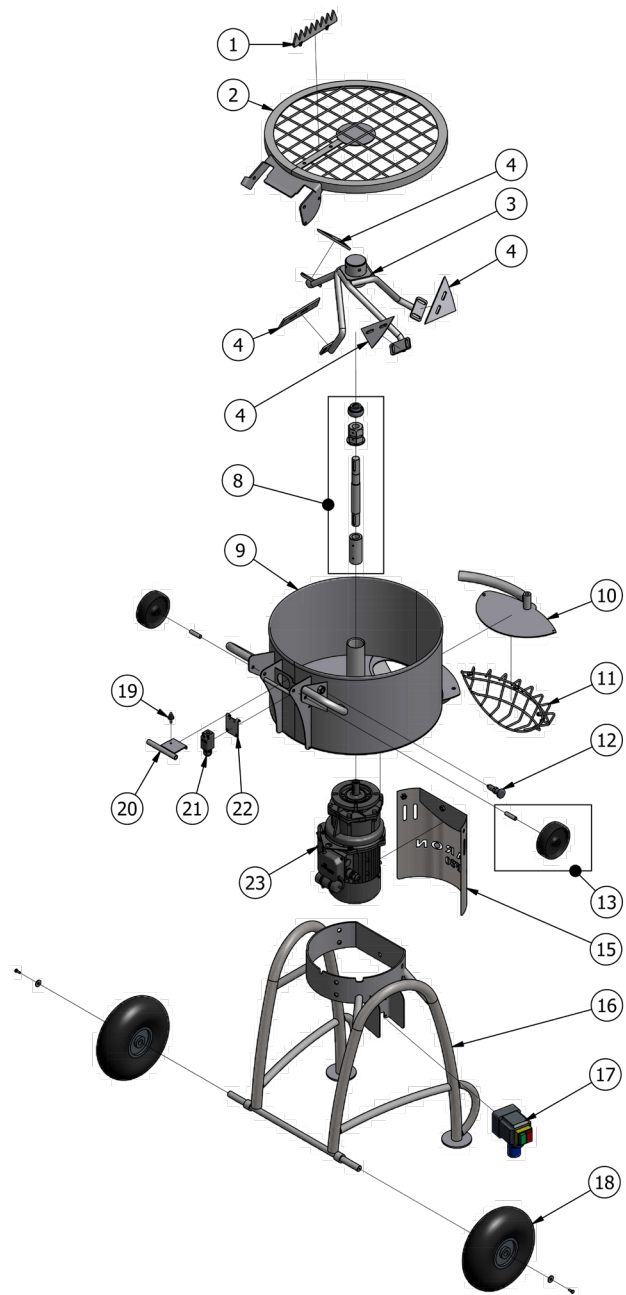


## F80



POS.	PART NO.	DESCRIPTION
1	50640	Sack knife complete
2	50547	Cover
3	50422	Mixer head (without shovels)
4	50447	Metalshovel set, complete (4 pcs)
8	50651	Drive shaft, complete
9	50509	Container
10	50374	Trapdoor, complete
11	50356	Outlet protection
12	50328	Positioning bolt
13	50343	Transport wheel, complete (1 pc)
15	50564	Motor cover
16	50523	Frame
17	50300	Main switch, 240V
18	50340	Wheel, 20x75 (1 pc)
19	50327	Rubber damper
20	50603	Plate for cover switch
21	50326	Mechanical cover switch
22	50600	Bracket for cover switch
23	50200	Motor + gear, 2.0kW 240V, Fabrika

POS.	PART NO.	OTHER SPARE PARTS
	50462	Rubber shovel set, complete (4 pcs)
	50201	Motor + gear, 2.0kW 110V, Fabrika
	50221	Motor, 2.0kW 110V, Fabrika
	50220	Motor, 2.0kW 240V, Fabrika
	50222	Motor, 2.0kW 3x380V, Fabrika
	50230	Gear for E90/E120/M80/M110, Fabrika
	50233	Vario speed gear
	50611	Bucket support
	50307	Main switch, 110V 10-16A
	50302	Main switch, 380V
	50324	E-stop lid for main switch
	30300	Rubber protection f/on-off
	50260	Main relais, 10-16A
	50270	Undervoltage relais, 110V
	50272	Undervoltage relais, 380V
	50103	CEE adapter
	50105	Adapter cable 240V 10A 1m CEE/Schuko plug
	50677	Dust cover (lid)